



JOB NAME:	CONTRACTOR:
JOB LOCATION:	APPROVAL:
ENGINEER:	CONTRACTOR P.O.:
APPROVAL:	REPRESENTATIVE:

**M8E700076V36-0\* - M8E700076V6-0\* - M8E700076V9-0\***  
**30-60° BALL                      60° BALL                      90° BALL**

**700076V36/V6/V9 2-WAY STAINLESS STEEL DIRECT MOUNT, V-PORT BALL VALVE WITH METAL ELECTRIC ACTUATOR W POSITIONER OR POSITIONER W BAT BACKUP SIZES 1/2" TO 3"**

*001	12V AC/DC	*002	24V AC/DC	*003	100-240VAC
*01*	BATTERY BACKUP	*02*	POSITIONER	*04*	BAT. BACKUP W POS

## SPECIFICATIONS

The Bonomi M8E700076V36-V6-V9 series electric actuated V-ball valve offers precise proportional control in the smallest total envelope in our industry. This is due to the low torque design of the 700076V stainless steel 30-60, 60, 90 degree V-port ball valve with 23% carbon-filled and 2% graphite-filled seats. Further the 700076V36-V6-V9 incorporates dual Viton O-ring stem seals for leak free and long-lasting performance. The NEMA 4 housing is resistant to dusty areas and in areas where water may be sprayed and is ideally suited for outdoor use. For 12V AC/DC models use suffix -001, for 24V AC/DC models use suffix -002, and 120V AC models use suffix -003.

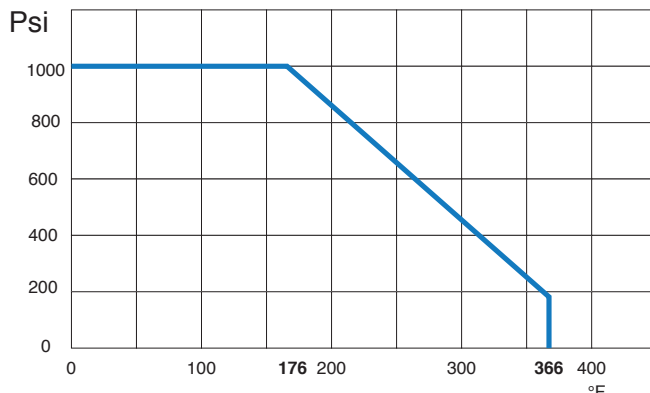
## ACTUATOR FEATURES

- Dual Voltages
- CSA, UL approved
- 24V AC/DC and 100-240V AC Models Available
- ISO 5211, F03/F05 base with 11mm female drive
- 75% Duty Cycle
- Anti-condensation heater, (when red wire is connected to power)
- High-Strength, Die Cast Aluminum Powder Coated Housing
- Temperature Range -4°F to 131°F
- NEMA 4 Housing
- Two Auxiliary Switches Standard
- Torque limiter standard

## VALVE FEATURES

- 30-60°, 60°, 90° V-port, sizes 1/2" to 3"
- 1/2" to 3" - Pressure rating 1000 psi, 150 psi steam
- Temperature range -4°F to 366°F
- Blow out proof stem
- 23% Carbon-Filled P.T.F.E. and 2% Graphite Filled P.T.F.E. seats
- Low operating torque
- P.T.F.E. seals and double O-ring stem packing
- 100° electronically tested in the open and closed position at 80 psi
- ISO 5211 mounting pad/square stem
- ANSI B1.20.1 connections

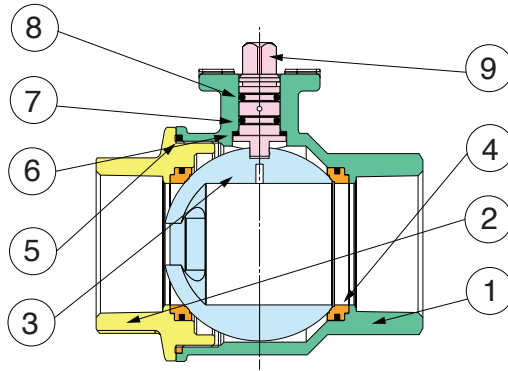
## PRESSURE TEMPERATURE CHART FOR 700076V36-V6-V9



## V-BALL SERIES MODEL OPTIONS

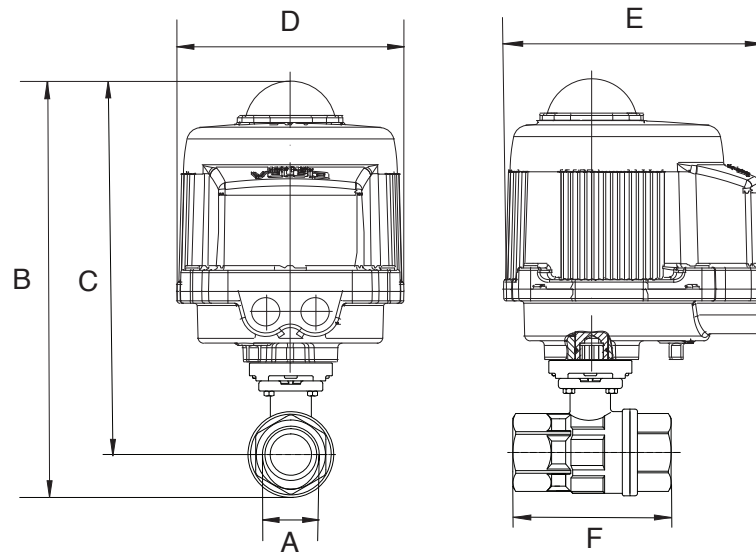
	<b>90° V-BALL</b>
	<b>M8E700076V9-0*</b>
	<b>60° V-BALL</b>
	<b>M8E700076V6-0*</b>
	<b>30-60° V-BALL</b>
	<b>M8E700076V36-0*</b>

## BILL OF MATERIALS FOR 700076V36-V6-V9



N POS	PART NAME	MATERIAL	N PCS
1	BODY	A351-CF8M	1
2	END CONNECTION	A351-CF8M	1
3	BALL	A182-F316	1
4	BALL SEAT	23% CARBON + 2% GRAPHITE FILLED P.T.F.E.	2
5	BODY SEAT	P.T.F.E.	1
6	ANTI-FRICTION RING	TFM	1
7	O-RING	FKM (Viton)	2
8	STEM SEAT	Virgin P.T.F.E.	1
9	STEM	A182-F316	1

## DIMENSIONS



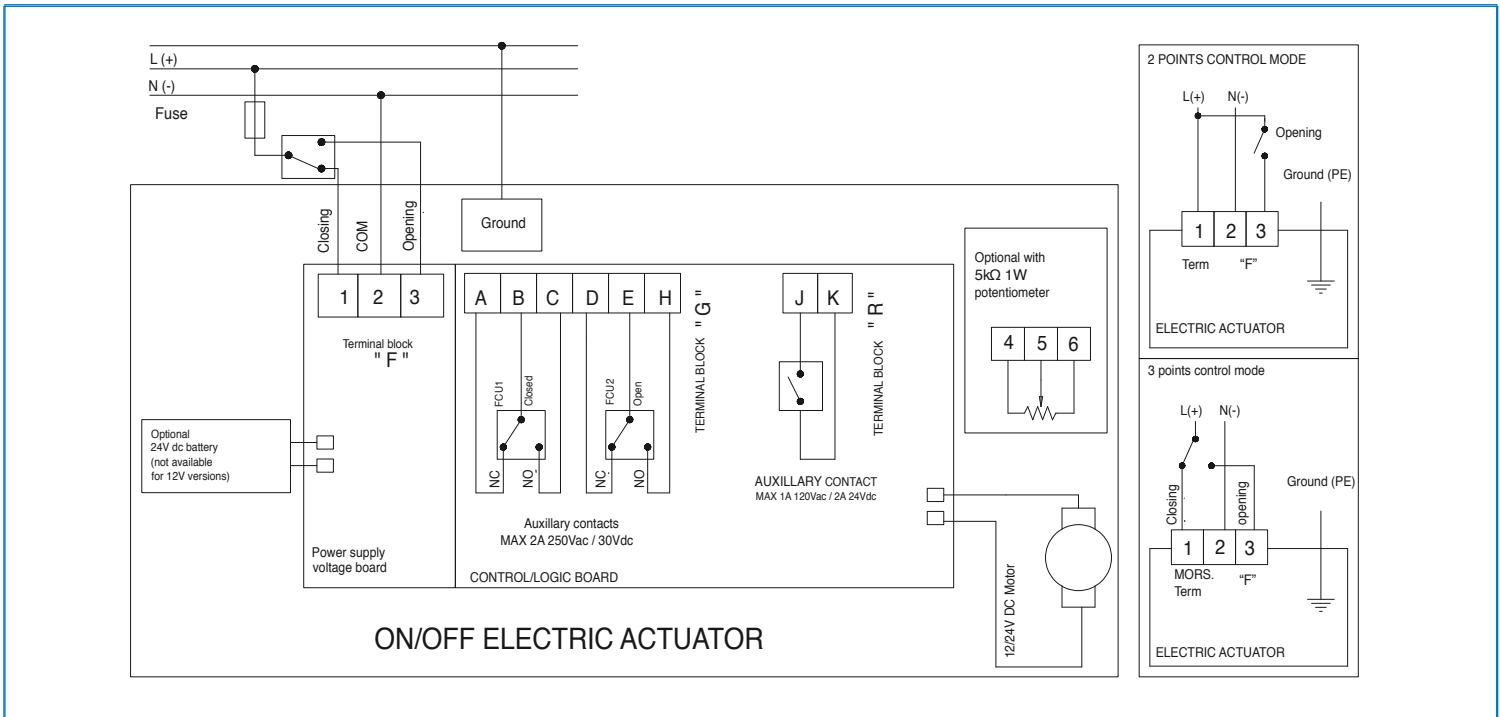
SIZE	A	B	C	D	E	F	ACT.
1/2"	0.50	9.36	7.76	5.38	6.10	2.66	VB015M
3/4"	0.75	9.60	9.19	6.34	7.36	3.07	VB015M
1"	1.00	10.11	9.58	6.34	7.36	3.54	VB015M
1-1/4"	1.25	10.29	9.72	6.34	7.36	3.93	VB015M
1-1/2"	1.50	11.05	10.31	6.34	7.36	4.40	VB015M
2"	2.00	11.52	10.67	6.34	7.36	5.31	VB015M
2-1/2"	2.50	14.22	12.94	6.93	7.76	6.32	VB060M
3"	3.00	14.68	13.29	6.93	7.76	7.01	VB060M

## CV VERSUS VALVE DEGREES OPEN

Size	Degree	10°	20°	30°	40°	50°	60°	70°	80°	90°
1/2"	30-60°	0.05	0.06	0.20	0.50	0.80	1.40	2.20	3.60	5.30
	60°	0.05	0.06	0.30	0.80	1.40	2.50	4.20	7.10	10.80
	90°	0.06	0.08	0.40	1.00	1.90	3.40	6.10	10.50	15.80
3/4"	30-60°	0.00	0.10	0.50	1.00	1.80	3.00	4.70	7.80	11.40
	60°	0.09	0.19	0.50	1.20	2.20	3.80	6.70	11.60	19.80
	90°	0.09	0.19	0.50	1.40	2.80	5.00	9.00	16.70	27.50
1"	30-60°	0.00	0.10	0.70	1.50	2.70	4.30	6.90	10.90	14.90
	60°	0.00	0.18	0.80	2.00	3.60	6.20	9.80	17.10	26.90
	90°	0.00	0.13	0.80	2.30	4.40	8.20	13.90	24.10	39.20
1-1/4"	30-60°	0.13	0.15	0.80	1.90	3.50	5.60	8.80	13.70	20.10
	60°	0.13	0.40	1.40	3.00	5.50	9.10	15.10	24.10	39.30
	90°	0.02	0.50	1.90	4.10	7.50	13.20	22.30	39.60	77.50
1-1/2"	30-60°	0.13	0.20	1.20	2.90	5.30	8.81	13.90	21.30	31.20
	60°	0.13	0.40	1.60	3.60	7.90	15.70	23.80	38.10	61.50
	90°	0.13	0.80	2.90	6.60	12.00	20.80	35.80	62.30	114.10
2"	30-60°	0.04	1.40	3.90	7.40	12.30	19.20	28.30	42.60	61.70
	60°	0.15	1.30	4.40	9.20	16.10	26.60	44.10	69.70	101.10
	90°	0.15	1.50	5.60	11.50	21.40	36.80	63.50	108.20	184.60
2-1/2"	30-60°	0.06	2.19	6.13	11.49	19.24	30.03	44.19	66.64	96.37
	60°	0.24	2.07	6.82	14.33	25.08	41.58	68.92	108.96	157.93
	90°	0.24	2.41	8.67	18.00	33.47	57.52	99.19	168.99	288.42
3"	30-60°	0.32	2.20	7.10	13.90	23.80	37.00	57.60	86.60	128.10
	60°	0.31	3.00	9.60	20.40	35.00	58.50	94.60	147.00	233.60
	90°	0.31	3.70	12.70	26.40	49.40	85.80	140.80	242.20	418.70

## ON/OFF WIRING DIAGRAM

12V AC/DC, 24V AC/DC & 100-240VAC



## POSITIONER WIRING DIAGRAM

12V AC/DC, 24V AC/DC & 100-240VAC

